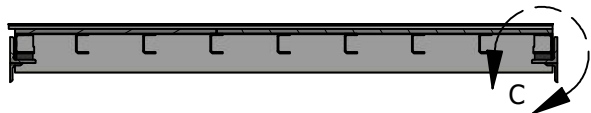
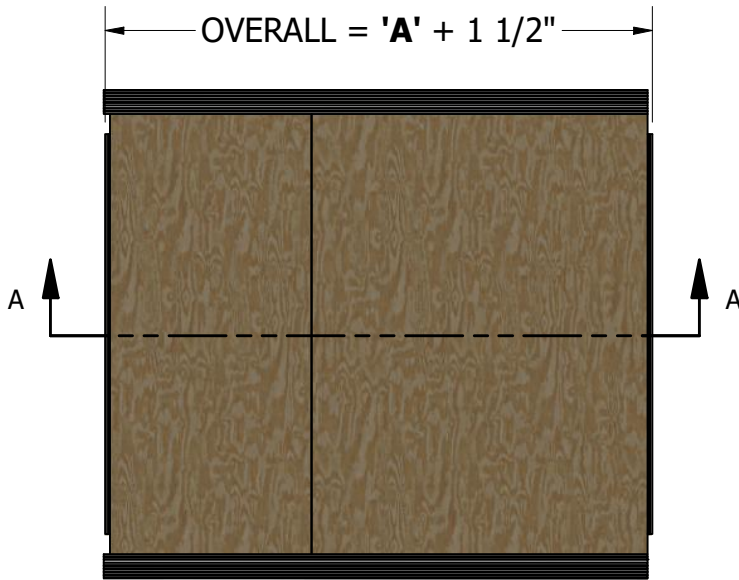
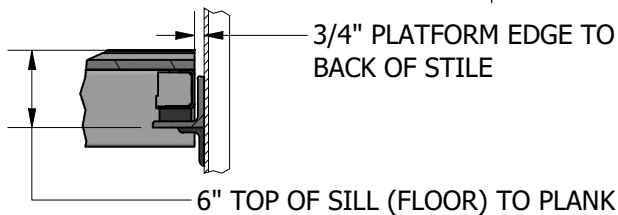
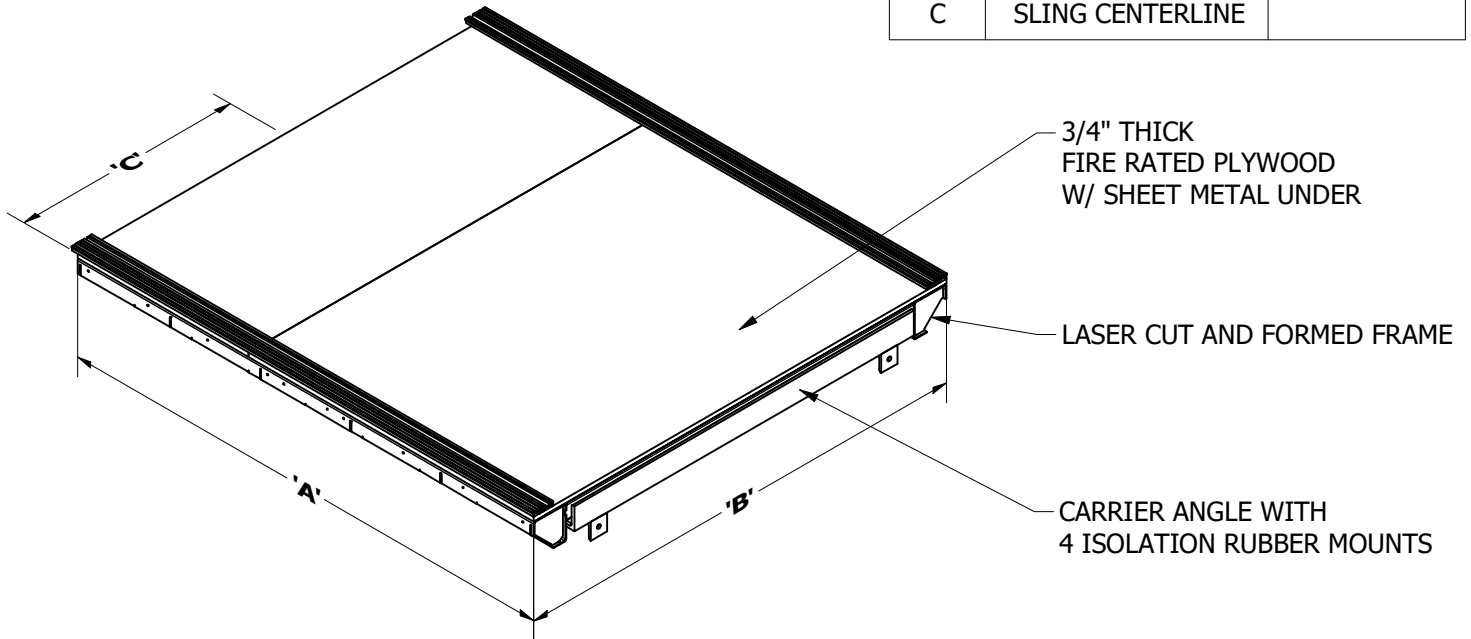


PLATFORM SURVEY FORM



SECTION A-A



DETAIL C

EQUIPMENT / SPECIFICATIONS	
ENTRANCE OPNG.	
ENT. LOCATION	
FRONT OR THRU	
CAPACITY	
SILL TYPE	

CUSTOM VALUE		
A	PLATFORM WIDTH	
B	PLATFORM DEPTH	
C	SLING CENTERLINE	

ORDER INFORMATION	
COMPANY NAME	
P.O.#	
JOB NAME	

FORMED PLATFORM

THIS DRAWING IS THE PROPERTY OF AVT-BECKETT ELEVATOR LTD., AND IS LOANED UNDER THE EXPRESS CONDITIONS THAT IT MUST NOT BE COPIED OR USED WITHOUT PERMISSION AND IS TO BE RETURNED ON DEMAND.



AVT Beckett Elevators
www.avtbeckett.com