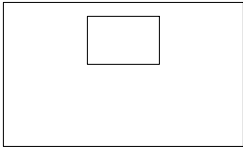


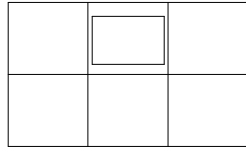
DROP CEILING SURVEY FORM

CLADDING STYLE GUIDE

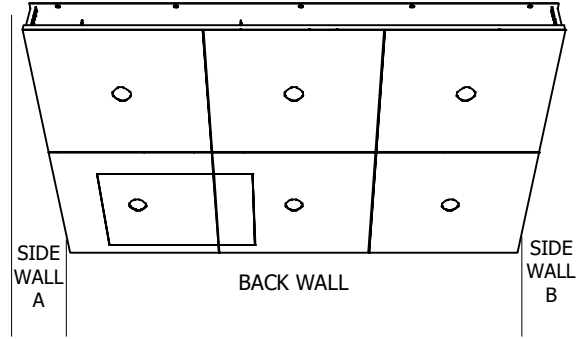
NOTE : ALL REVEALS 1/8" GAP PAINTED BLACK



STYLE 100



STYLE 600



FINISHES

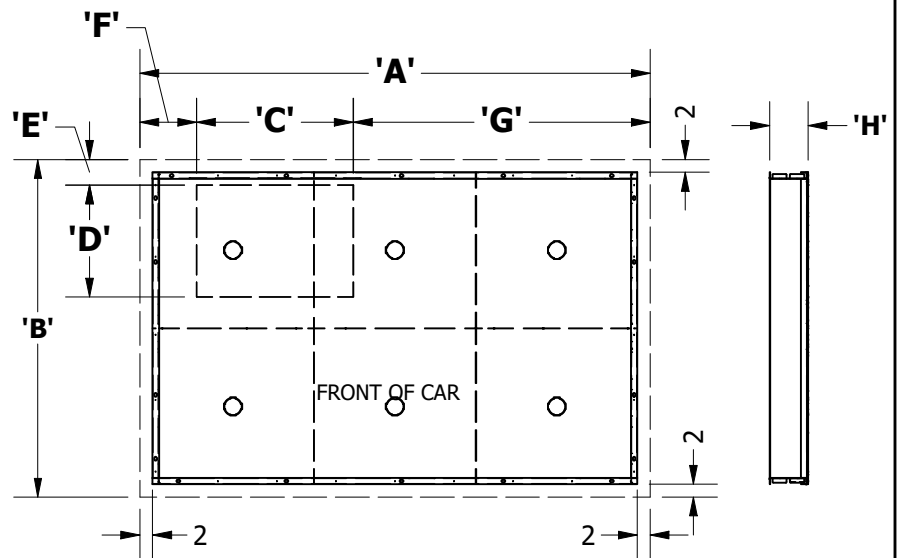
BRUSHED SS #4 CLADDING (STANDARD)

CUSTOM CLADDING

SPECIFY _____

QTY OF MR16U LED

3000K COLOR TEMP



VIEW FROM ABOVE

DIM.	DESCRIPTION	VALUE
A	OVERALL WIDTH	
B	OVERALL DEPTH	
C	HATCH WIDTH	
D	HATCH DEPTH	
E	HATCH TO BACK EDGE	
F	TO SIDE EDGE A	
G	TO SIDE EDGE B	
H	DROP (6" STANDARD)	

ADDITIONAL COMMENTS:

ORDER INFORMATION

COMPANY NAME	
DATE	
JOB NAME	

CUSTOM DROP CEILING

THIS DRAWING IS THE PROPERTY OF AVT-BECKETT ELEVATOR LTD., AND IS LOANED UNDER THE EXPRESS CONDITIONS THAT IT MUST NOT BE COPIED OR USED WITHOUT PERMISSION AND IS TO BE RETURNED ON DEMAND.



AVT Beckett Elevators
www.avtbeckett.com