

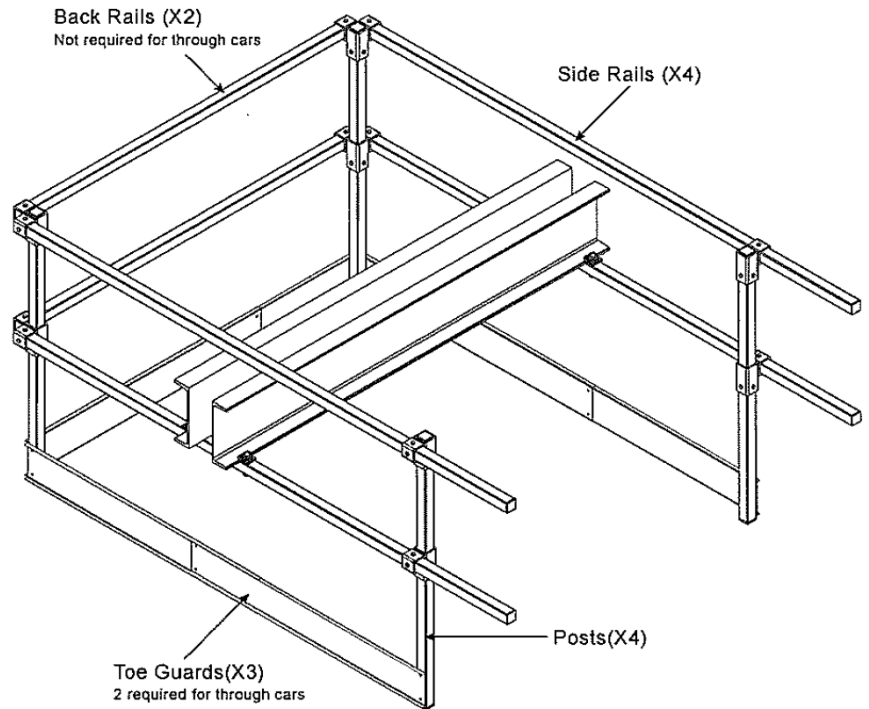


# Car Top Railing Order Form

Date:	
Company:	
Contact Name:	
Contact Number:	
Ship to:	
Shipping Carrier & Account #:	
PO#:	

\*\*The below dimensions are standard. If your canopy is bigger than what is listed above, please fill out the "CUSTOM" section in the table below.

Capacity	Canopy Dimension	QTY
2000lbs Front	72" W x 61" D	
2000lbs Thru	72" W x 66" D	
2500lbs Front	84" W x 61" D	
2500lbs Thru	84" W x 66" D	
3000lbs Front	84" W x 67" D	
3000lbs Thru	84" W x 72" D	
3500lbs Front	84" W x 74" D	
3500lbs Thru	84" W x 80" D	
CUSTOM Front		
CUSTOM Thru		



\*\*If you have a freight car, please contact your sales representative to discuss your options.

[sales@avtbeckett.com](mailto:sales@avtbeckett.com)

1-844-360-0288

[avtbeckett.com](http://avtbeckett.com)